

**The City of Gainesville
Drinking Water Week
Fire Hydrant Coloring Contest**

This year, Drinking Water Week is from May 7-13, 2023. The purpose of this special week is to promote public awareness of safe drinking water. The City of Gainesville is sponsoring a fire hydrant coloring contest. All elementary students in Hall County (including city, county, and homeschool students) are invited and encouraged to participate. The guidelines are as follows;

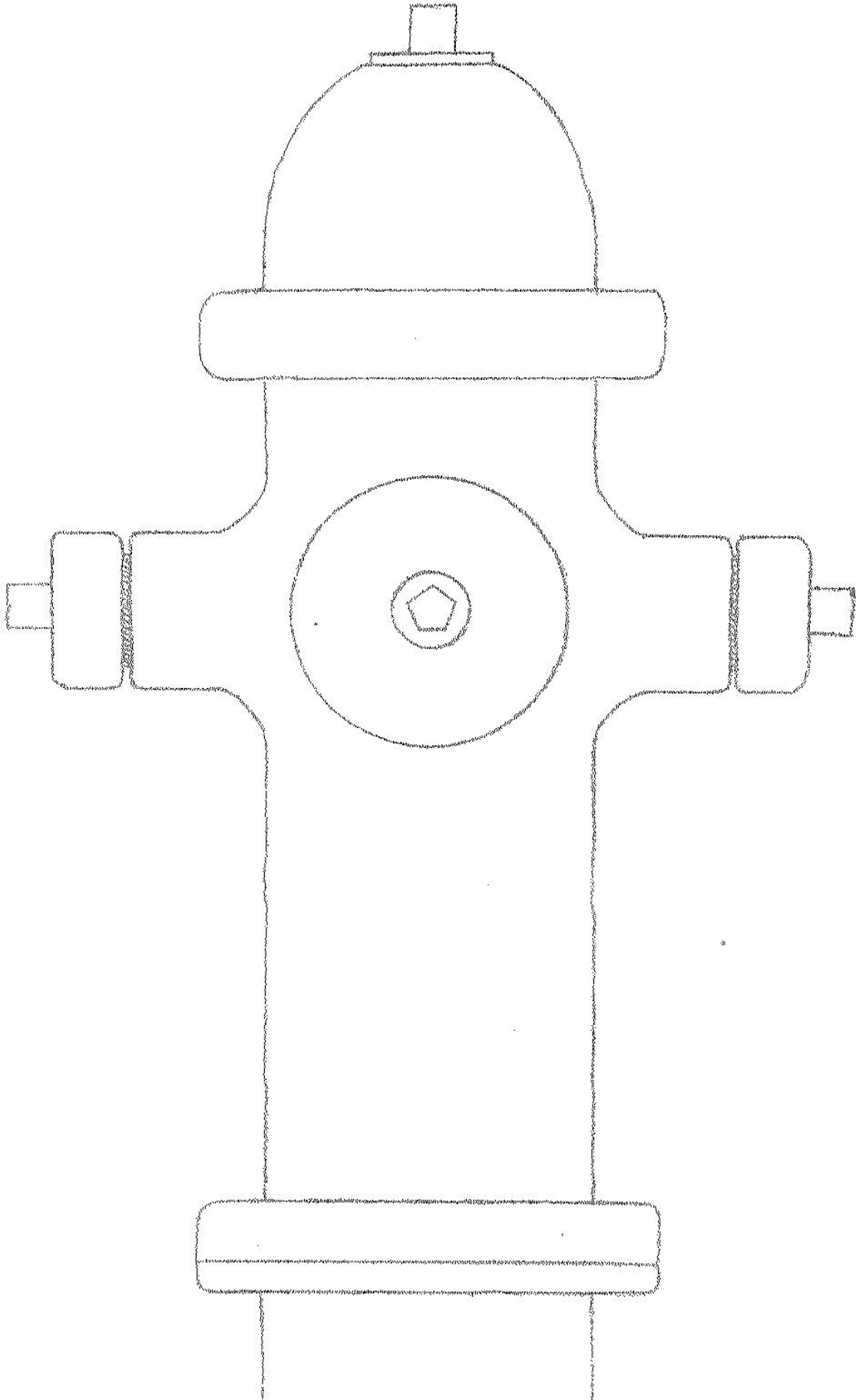
1. All elementary (K-5th) grade students are invited to color a fire hydrant.
 - a. A copy of the fire hydrant graphic will be provided to make copies from. Students may use any materials to color with (paints, crayons, colored pencils, etc.) Entries should be original artwork. Bright, vivid colors are recommended (they show up very well) and camouflage designs will not be used (firemen need to find the hydrants).
2. All Submissions may be mailed, hand-delivered, or sent via Facebook messenger:
 - a. **Hand-delivered/Mailed:**
 - i. Please indicate the student's name, age, teacher and school name and address and phone number **on the back** of the picture. The template included with this notice has **a front and a back side to copy** with all of the needed information. Without this information we cannot properly keep up with all of the entries.
 - b. **Facebook Messenger:**
 - i. Please send completed hydrant artwork along with the student's name, age, teacher and school name and address and phone number to us via messenger @GainesvilleH2O
3. All entries should be postmarked or received by March 31st, 2023 to be eligible.

Hydrant Contest
Department of Water Resources
Attn: Kristen Howard
757 Queen City Parkway
Gainesville, Ga 30501

WATER RESOURCES

4. Each student may turn in only one submission. Submissions will not be returned; select entries will be framed and presented at the end of the year awards ceremony.
5. There will be 3 winners. All winners will win a pizzeria gift card and have their design recreated onto a fire hydrant in the City of Gainesville. The winner will also be presented their framed drawing. * Due to the unpredictability of school closures, framed drawings will be distributed via mail*
6. If you would like to have Water Department Staff zoom with your classroom to share about the importance of clean drinking water and water conservation please call Kristen Howard at (770) 532-7462. We hope that this program will provide a fun way to engage students in learning about their drinking water resources.

Questions? Kristen Howard at (770) 532-7462 khoward@gainesvillega.gov.



School: _____

Teacher: _____

Student name: _____

Grade: _____